



Features

- Designed for use with remote-cooled GEM and MFI ice machines that produce from 582 lbs (264 kg) to 1149 lbs (521 kg) of ice per day.
- Environmentally responsible – all GRC model condensers use R404A, an approved non-ozone depleting refrigerant.
- Constructed from sturdy, corrosion-resistant galvanized steel. Reduces air conditioning requirements and cost.
- Fan is located away from the ice maker ensuring quiet operation for customers.

Options & Accessories

Model Number	Description	Shipping Weight lbs (kg)
RT-325-4O4	25 ft (7.6 m) Precharged Tubing Kit for R4O4A Models	13 (6)
RT-340-4O4	40 ft (12.0 m) Precharged Tubing Kit for R4O4A Models	18 (8)
RT-345-4O4	60 ft (18.2 m) Precharged Tubing Kit for R4O4A Models	19 (9)
RT-360-4O4	75 ft (22.9 m) Precharged Tubing Kit for R4O4A Models	26 (12)
RT-375-4O4	75 ft (22.9 m) Precharged Tubing Kit for R4O4A Models	35 (16)

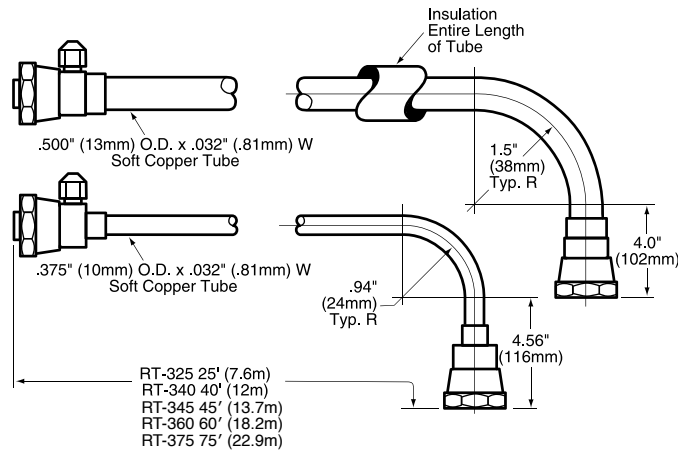
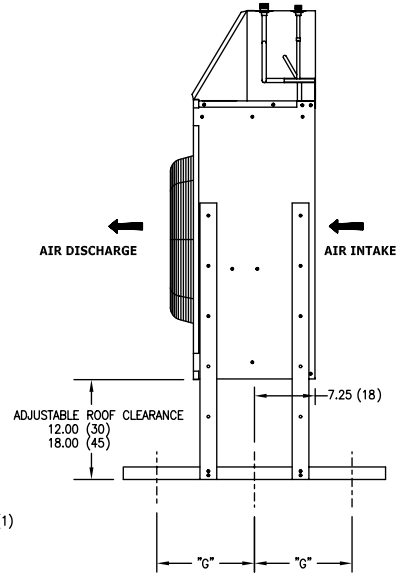
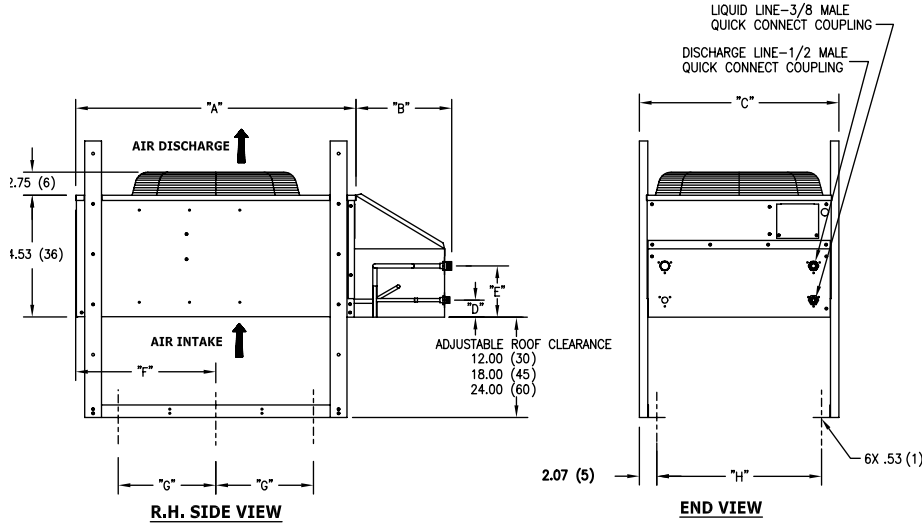
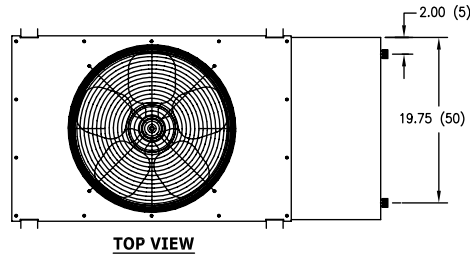
(Note: Specify length when ordering)

Specifications

Model Number	Description	Voltage Characteristics	Dimensions: W x D x H	Shipping Weight lbs (kg)
GRC-1001	Remote Condenser for models GEMO650, MFI0800	115/60/1	in.: 44 x 23 ¹³ / ₁₆ x 29 ¹ / ₂ mm: 1118 x 605 x 749	122 (55)
GRC-1061	Remote Condenser for models GEMO956, MFI1256	208-230/50-60/1	in.: 44 x 23 ¹³ / ₁₆ x 29 ¹ / ₂ mm: 1118 x 605 x 749	124 (56)



GRC REMOTE CONDENSERS



Model Number	Dimension "A"	Dimension "B"	Dimension "C"	Dimension "D"	Dimension "E"	Dimension "F"	Dimension "G"	Dimension "H"
GRC1001	33.36"	10.75"	23.81"	2.04"	6.12"	16.73"	11.65"	19.57"
GRC1061	(84.73 mm)	(27.31 mm)	(60.48 mm)	(5.18 mm)	(15.54 mm)	(42.49 mm)	(29.59 mm)	(49.96 mm)

NOTES:
 Number of Wires: 3 (including ground)
 Refrigerant Type: R404A