



# HISUO56BR/UO76BR/UO96BR - SELF CONTAINED CUBE ICE MAKER

**Ice-O-Matic**  
Ice. Pure and Simple

Produced specifically for the Brazilian market, these machines include INMETRO approved electrical and water inlet connections.

With its horizontal evaporator, the HIS line of ice machines provides crystal clear ice every time. And with its compact design the HIS ice machine is sized to fit most anywhere and yet stylish enough to show off to your customers.

## Features

- Produces up to 100 lbs (45.4 kg) of ice per day
- Stores up to 51 lbs (23.1 kg) of ice
- Elegant euro styling
- Space saving design
- Easy open, self-storing bin door
- Large bin opening for easy access to ice
- Simple control panel for easy adjustments
- Low profile 32 in. (81 cm) installation with available kit
- Front air intake & discharge for undercounter installation
- Ice scoop included
- Inmetro approved cordset and water inlet included



HISUO56BR

HISUO76BR

HISUO96BR

## Options & Accessories

Model	Description
KADA-15	ADA floor mount kit for 15" HIS self-contained ice machine
KADA-20	ADA floor mount kit for 20" HIS self-contained ice machine

## Ice Maker Warranty

Every Ice-O-Matic ice maker is backed by a warranty that provides both parts and labor coverage.

- Three years **Parts** and **Labor**.

## Ice Form



**CUBE**

FULL CUBE DIMENSIONS	
W x D x H (in.)	7/8 x 7/8 x 7/8
W x D x H (mm)	22 x 22 x 22

## Space-Saving Solutions

- Front air discharge design for compact spaces.
- Low profile design for perfect under counter fit.
- Easy front access to ice.

HISUO56BR/UO76BR/UO96BR SELF CONTAINED CUBE ICE MAKER



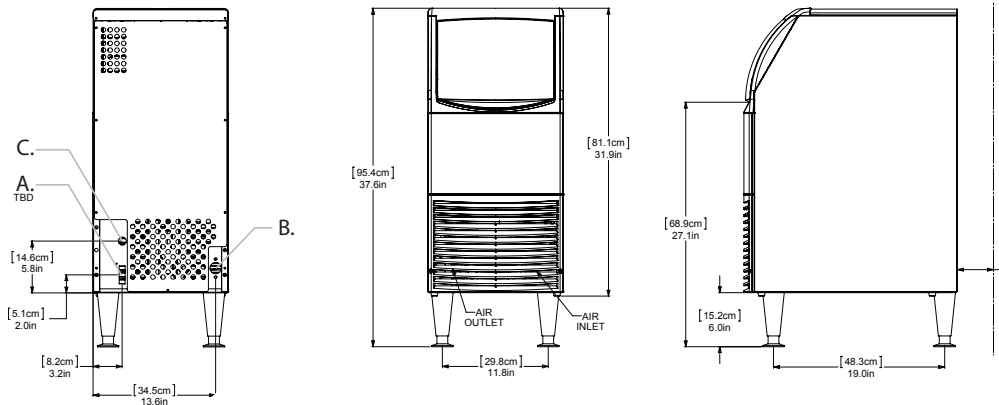


# HISUO56BR/ UO76BR/ UO96BR - SELF CONTAINED CUBE ICE MAKER

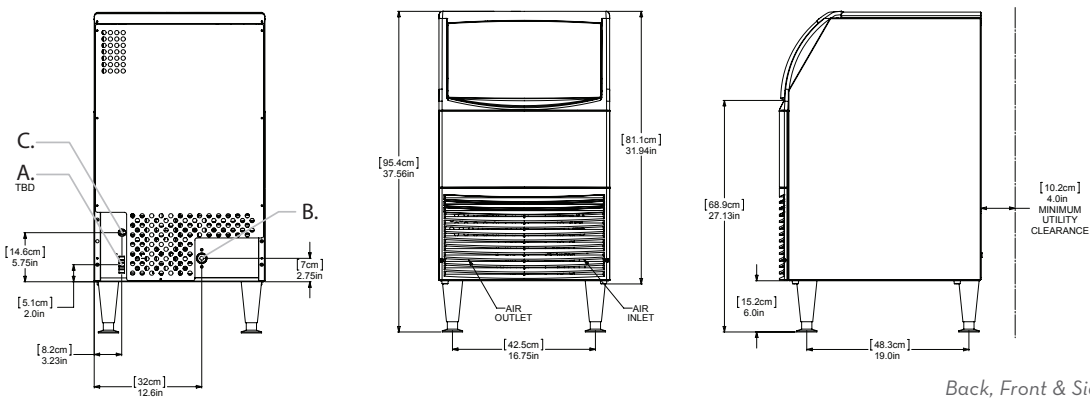
## Air Cooled

A. Ice maker water in 3/8" FPT. (TBD) B. Bin and ice maker drain, 3/4" FPT. C. Electrical cord.

HISUO56BR  
HISUO76BR



HISUO96BR



Back, Front & Side View

## Operating Requirements

	MINIMUM	MAXIMUM
	<b>60 Hz</b>	
Ambient Temp. Range Air	50°F (10°C)	100°F (38°C)
Water Temp.	40°F (4.5°C)	
Water Pressure	15 PSIG (1.03 BAR)	80 PSIG (5.5 BAR)

## Dimensions

MODEL	W x D x H (inches)	W x D x H (mm)
HISUO56BR HISUO76BR	15 x 23.7 x 37.5	381 x 602 x 952.5
HISUO96BR	20 x 23.7 x 37.5	508 x 602 x 954

## Specifications

Model Number	Cond. Unit	Ice Production per 24hrs		Water Usage	kWH Used per 100 lbs of ice @ 90°F air/70°F water	Number of Wires	Voltage Characteristics	Min. Circuit Ampacity	Fuse Size	Approx. BTUs per hour**
		70°F air/ 50°F water lbs (kg)	90°F air/ 70°F water lbs (kg)	gallons per 100 lbs of ice 90°F air/70°F water						
HISUO56FABR	Air	60 (27.2)	38 (17.2)	41 (155.2)	12	Inmetro cord connected	220/60	1.8	15	1,500
HISUO76FABR		80 (36.3)	58 (26.3)	30 (113.6)	11		220/60	3.2		2,300
HISUO96FABR		100 (45.4)	80 (36.3)	35 (132.5)	10		220/60	3.4		4,100

**NOTES:**

Approx. Shipping Weight lbs (kg): All models 95 (43.1)  
 Refrigerant Type: R-134A  
 Included Items: Cord Set, Water inlet hose Inmetro approved, Ice scoop, 6" legs

\*\*BTUH is calculated 0°F Evaporator, 100°F Condensing, and 33 PSIG.

HISUO56BR/ UO76BR/ UO96BR SELF CONTAINED CUBE ICE MAKER